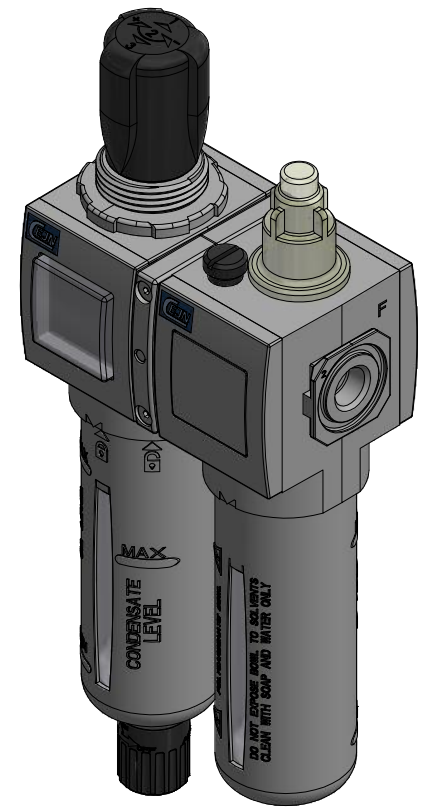
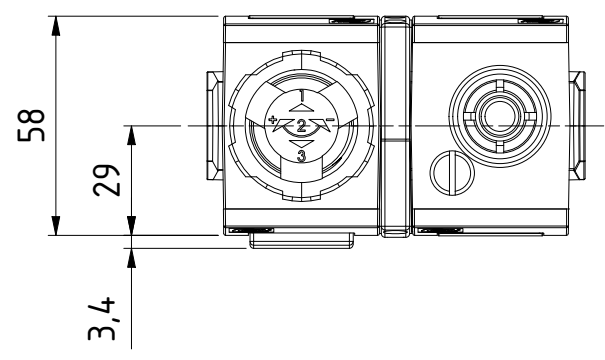
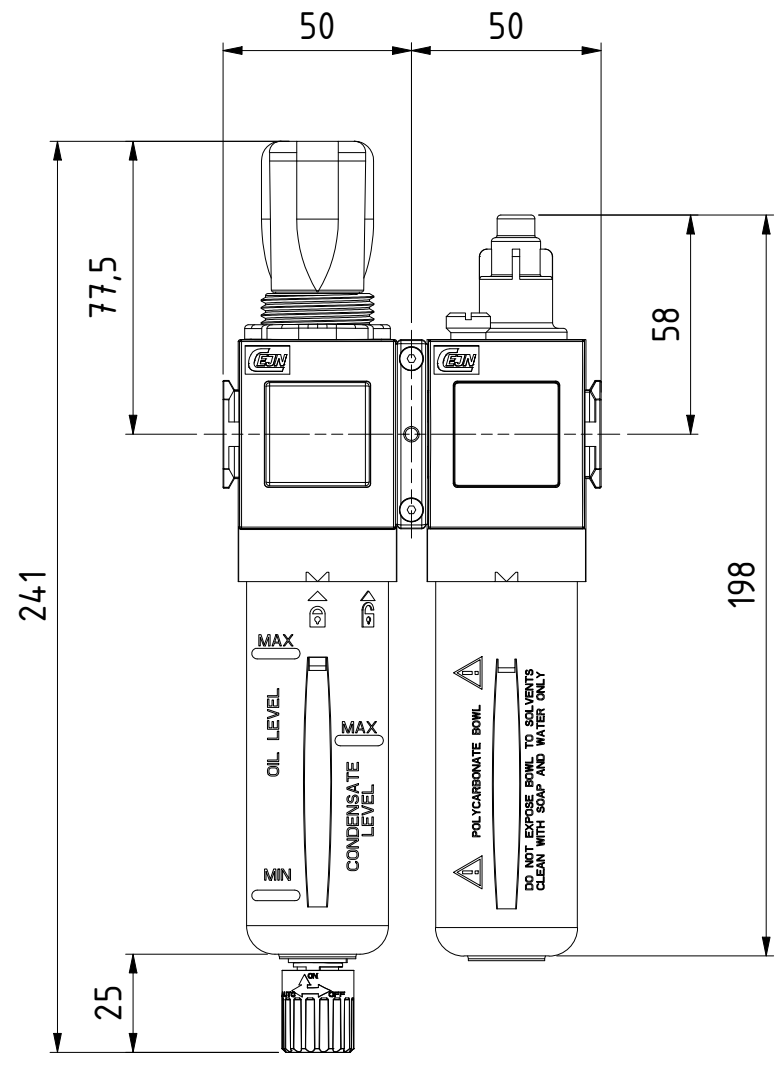


This document must not be copied, either completely or in part, without permission. Any infringement will have legal consequences ©

A3



1 : 2

Product No. 195031602 Fil/reg 25 my + lubr 651, G 1/4" Fem, flat gauge included

Temperature range: +5°C - +50°C

Max working pressure: 10 bar

Technical data see <https://www.cejn.com/products/pneumatics/frl>



Scale	1 : 2	Drawn	CABLHE	Checked	ANLA	Appr.	JOOL	ECO	Date	2020-04-27
Drawing No.							505031602		Issue	AA
Assembly Drawing							505031602		Sheet	1 / (1)